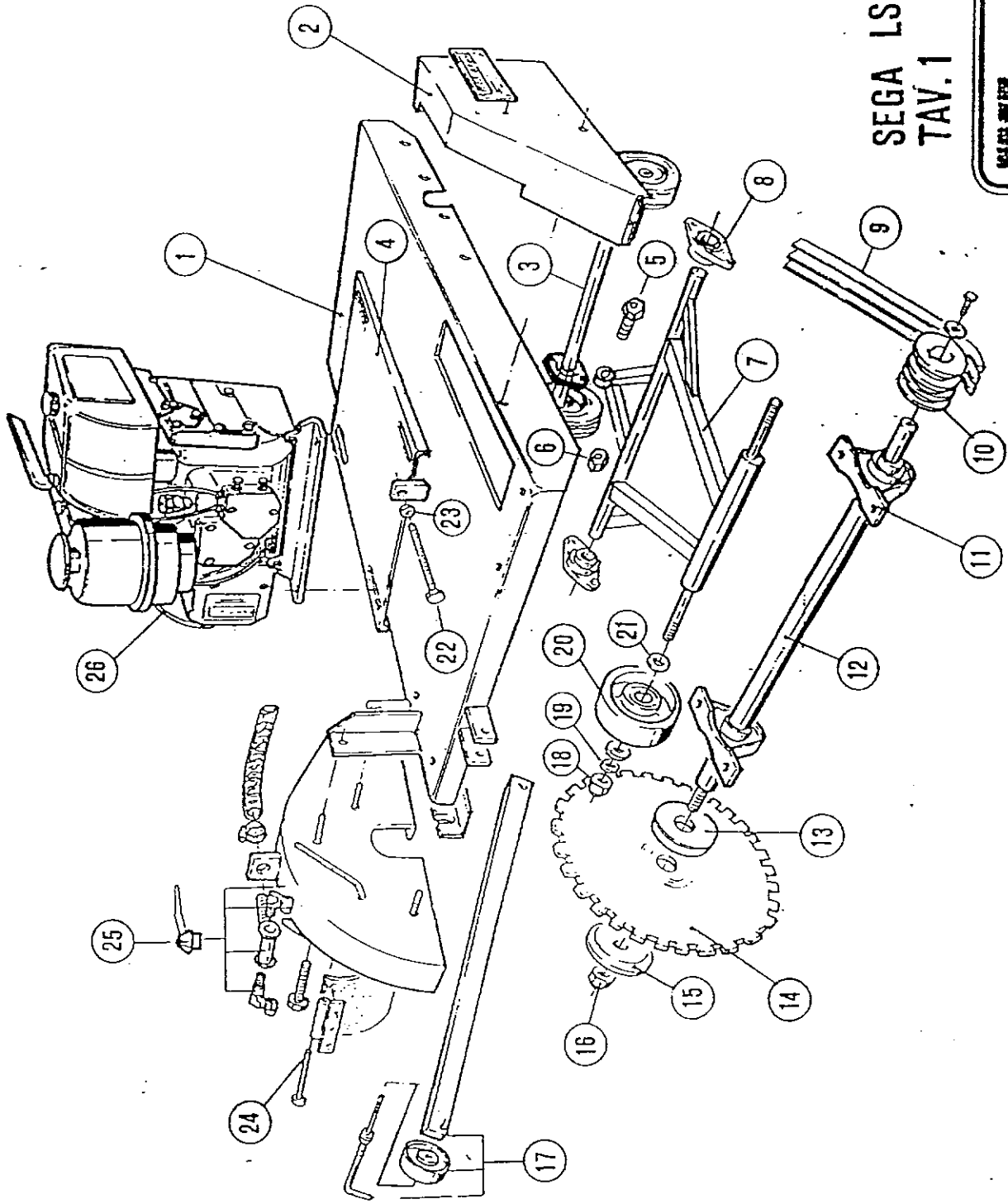


FAST VERDINI S.p.A.

61020 CHIUSA DI GINESTRETO PESARO
TEL. 0721/481347-FAX 481239

LS HONDA

SPARE PARTS LIST



SEGA LS/SERB. HONDA 11
TAV. 1

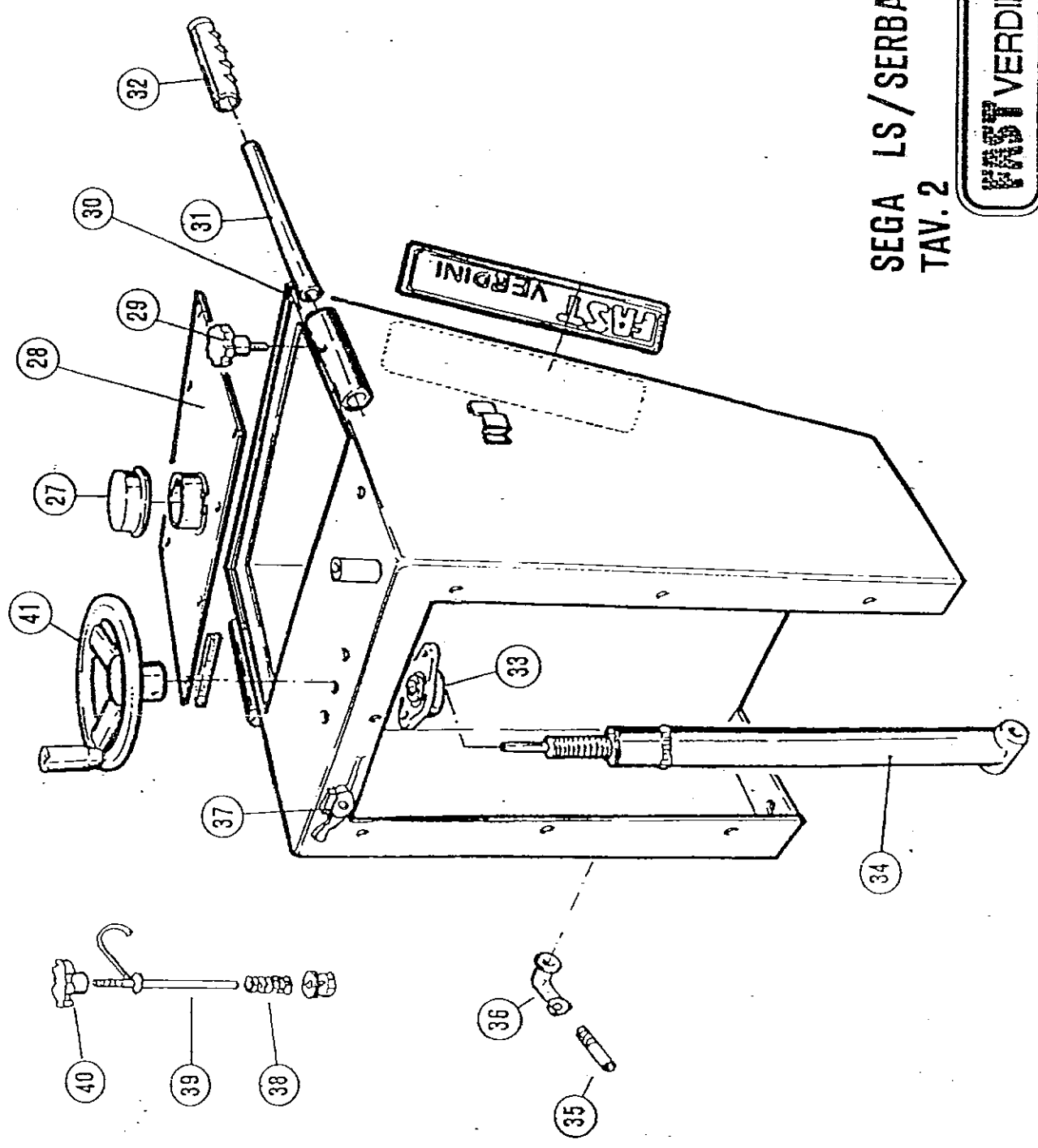




SAW MOD. LS/HONDA

NR.	DESCRIPTION	PCS	CODE NO.
21	NYLON WASHER	4	1ANYL003
20	FRONT WHEELS	2	1PZ12502
19	FLAT WASHER	2	2RP16009
18	SELF-LOCKING NUT	2	2DNM1607
17	DIRECTION INDICATOR WITH WHEEL	1	G5301600
16	SELF-LOCKING NUT	1	2DAM2410
15	COUNTER FLANGE	1	A5302300
14	BLADE	1	
13	BLADE HOLDER	1	A5302200
12	BLADE SHAFT HOLDER	1	A5200400
11	UPRIGHT SUPPORTS	2	1PRG0030
10	PULLEY BLADE SHAFT	1	A5200500
9	ENGINE BELTS	3	1TSPAX0800
8	FLANGED SUPPORTS	2	1PFG0025
7	STAND	1	B5301000
6	SELF-LOCKING NUT	1	2DAM1808
5	SCREW M18X90	1	2VEB18090B
4	ENGINE PLATE	1	B5211201
3	REAR AXLE	1	A5200900
2	ENGINE BELT COVERING GUARD	1	B5230700
1	BASE	1	B5100100

SEGA LS/SERBAT.HONDA11
TAV. 2





SAW MOD. LS/HONDA

NR.	DESCRIPTION	PCS	CODE NO.
42			
41	DEPTH REGULATION HANDWHEEL	1	1VLROG02
40	HANDWHEEL	1	1VL05003
39	SETTING HANDWHEEL	1	A6512401
38	SPRING	1	1MC00006
37	ACCELERATOR	1	1GLA0014
36	CURVE	1	
35	STUB PIPE	1	
34	DEPTH REGULATION SCREW	1	A5200300
33	FLANGED SUPPORT	1	1PFG0017
32	HANDLE GRIPS	2	1VM02709
31	COMPLETE HANDLE GRIPS	2	B5300800
30	COMPLETE TANK	1	B5210000
29	HANDLES FIXING HANDWHEEL	2	1VL05004
28	TANK COVER	1	
27	WATER TANK CUP	1	6TAPP000
26	ENGINE	1	
25	COMPLETE GUARD	1	B5301500
24	COMPLETE SPLASH GUARD	1	D5304100
23	HEXAGONAL NUT	1	2DNM1003
22	THREADED BAR	1	